

Service Manual

[TOP NEXT](#)

ORDER NO. AD0103076C2

Service Manual

Stereo tuner/ amplifier

1 SA-DV250

Colour

(S).....Silver Type

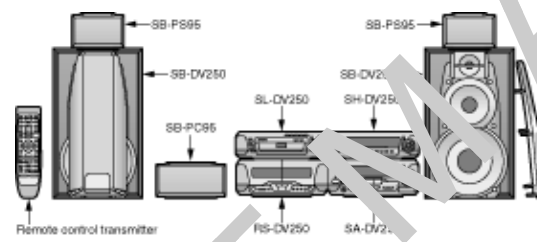
Areas

EB.....Great Britain.

EG.....Europe.

System: SC-DV250

Because of unique interconnecting cables, when a compact requires service, send or bring in the entire system.



Specification

• Amplifier Section (Low frequency side)

Power output

DIN 100Hz, THD 1%, 8Ω both channels driven:

2x45W

RMS 100Hz, THD 10%, 8Ω both channels driven:

2x65W

• Amplifier Section (High frequency side)

Power output

DIN 1kHz, THD 1%, 6Ω both channels driven:

2x25W

RMS 1kHz, THD 10%, 6Ω both channels driven:

2x35W

Power output (prologic mode)

DIN (front: high frequency) 1kHz, THD 1%, 6Ω both channels driven:

2x25W

(front: low frequency) 100Hz, THD 1%, 8Ω both channels driven:

2x45W

(surround) 1kHz, THD 1%, 8Ω both channels driven:

2x30W

(center) 1kHz, THD 1%, 8Ω:

60W

RMS (front: high frequency) 1kHz, THD 10%, 6Ω both channels driven:

2x35W

(front: low frequency) 100Hz, THD 10%, 8Ω both channels driven:

2x65W

(surround) 1kHz, THD 10%, 8Ω both channels driven:

2x40W

(center) 1kHz, THD 10%, 8Ω:

80W

• Total harmonic distortion

Rated power at 1kHz/ 6Ω:

1%

Half power at 1kHz/ 6Ω:

0.1%

• Load impedance

Front (high frequency):

6Ω

(low frequency):

8Ω

Surround:

8Ω

Center:

8Ω

• FM tuner section

Frequency range:

87.50-108.00MHz
(0.05MHz steps)

Sensitivity (S/N 26dB):

1.5μV

S/N:

MONO 70dB
(75dB, IHF)

Antenna terminals:

75Ω (unbalance)

• AM tuner section

7.1 To display the malfunction code

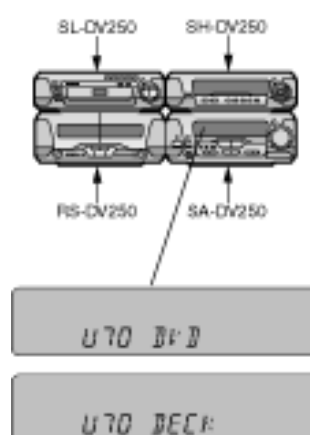
[TOP](#) [PREVIOUS](#) [NEXT](#)

U70 DVD: Automatically displays on the

U70 DECK: tuner/amplifier when a malfunction occurs. Refer to Fig. 7-1.

F61: Automatically displays on the tuner/amplifier when a malfunction occurs. Refer to Fig. 7-1.

Fig. 7-1



@

[TOP](#) [PREVIOUS](#) [NEXT](#)

7.2 To return to the normal display

[TOP](#) [PREVIOUS](#) [NEXT](#)

1. For U70 DVD/U70 DECK

- i Press an any operation button on the tuner/amplifier.
- i To re-display the code, switch the power off (POWER STANDBY button), and then switch power back on again.

2. For F61

- i If F61 is displayed, the power will automatically be switched off and the standby indicator will light up.
- i F61 will be displayed for 3 seconds, and then the clock will be displayed.
- i To re-display the code, switch the power on. F61 will be re-displayed, and then after 3 seconds the clock will be displayed and the power will automatically switch off.

@

[TOP](#) [PREVIOUS](#) [NEXT](#)

7.3.1 U70 DVD, U70 DECK/(displayed automatically)

[TOP](#) [PREVIOUS](#) [NEXT](#)

Problem or condition

A bus-line communications error has occurred as a result of the flat cables being inserted incorrectly, thus preventing the system from operating.

- i If U70 is displayed on the tuner/amplifier, the Cassette deck or DVD Changer cannot be operated by remote control.

Correction Procedure

1. To check for correct insertion of the flat cables.

- n Insert each connectors until you hear a click.
- n Insert the flat cables at the back of the unit in the order indicated. Refer to Fig. 8-2.

Make sure the white side of the cables is on your right side. Refer to Fig. 8-3.

Fig. 7-2.

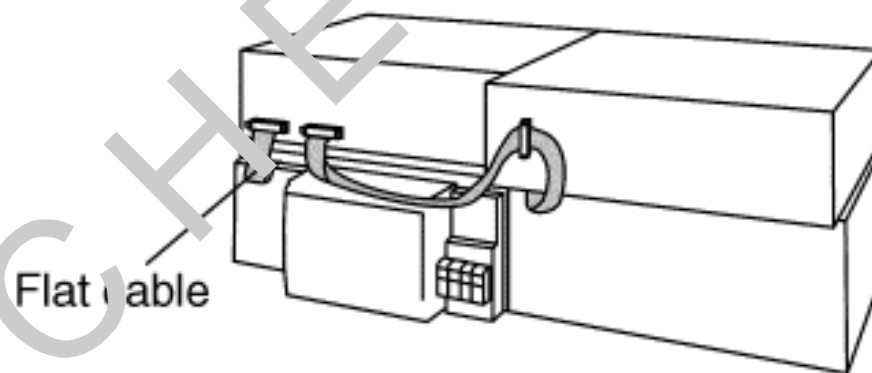
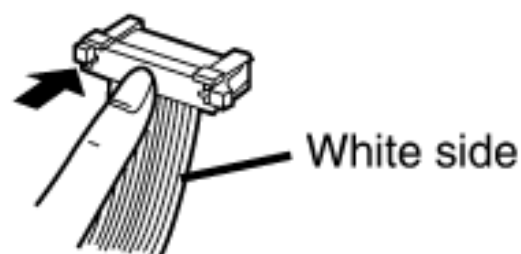


Fig. 7-3.



2. Breakage of the flat cables. (Check and replace.)
3. If the problem is not corrected by items 1 and 2 above, this indicates a faulty IC.

[SA-DV250:](#)

IC901 (C2BBFD000317)

SL-DV250:

IC401 (M38504E6227F)

RS-DV250:

IC701 (M38503M2406F)

Check these ICs and replace.

@

[TOP](#) [PREVIOUS](#) [NEXT](#)

SCHEMA 99

7.3.2 F61

[TOP](#) [PREVIOUS](#) [NEXT](#)

- | [Problem or condition](#)

When the power switch is switched on, it automatically switches back off, making it impossible to switch power on.

- | [Correction procedure](#)

Faulty Tuner/Amplifier (SA-DV250) output IC (IC601).

(When a DC voltage is applied to speaker terminals.)

@

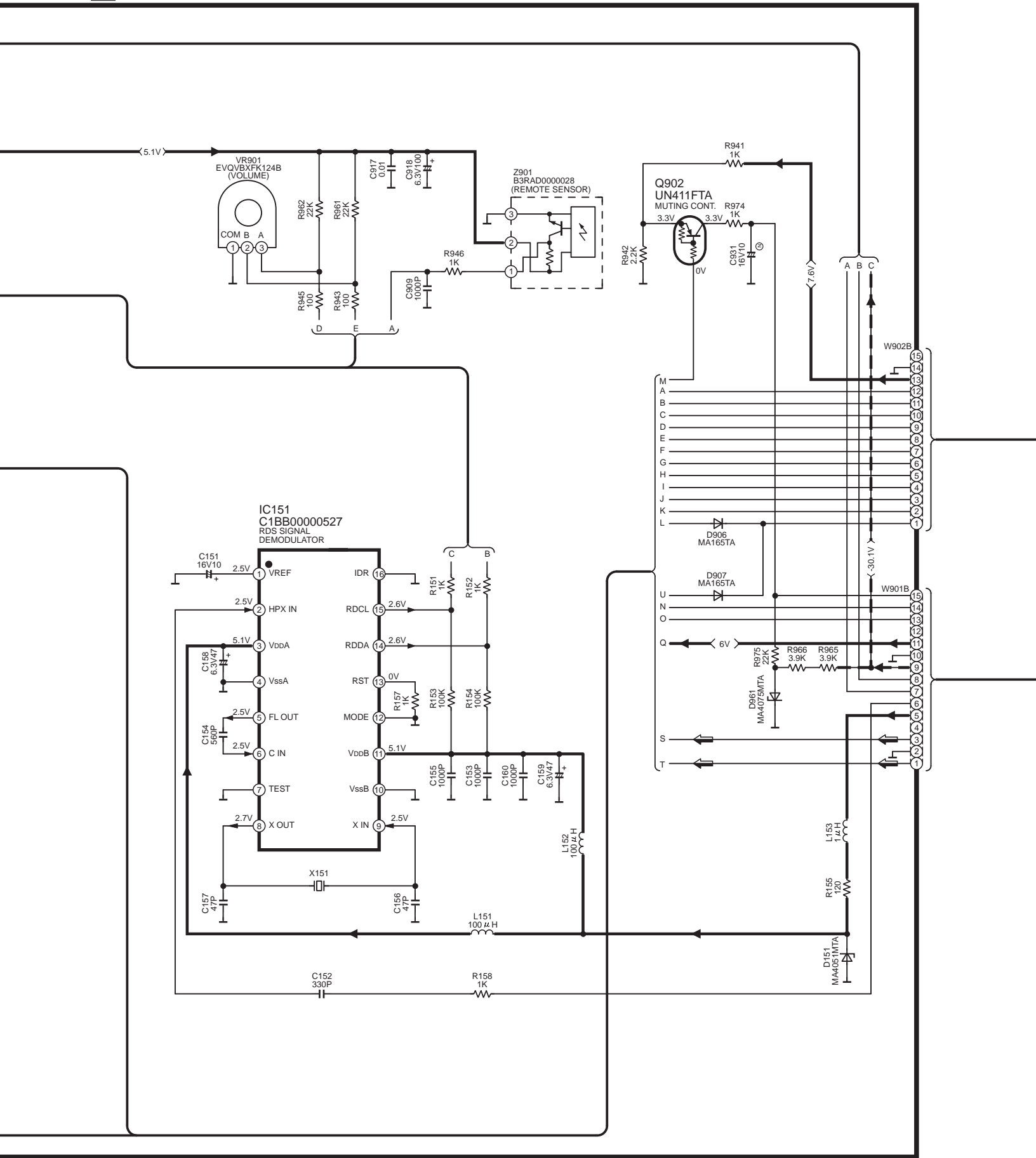
[TOP](#) [PREVIOUS](#) [NEXT](#)

SCHEMA 99




SCHEMATIC DIAGRAM-3

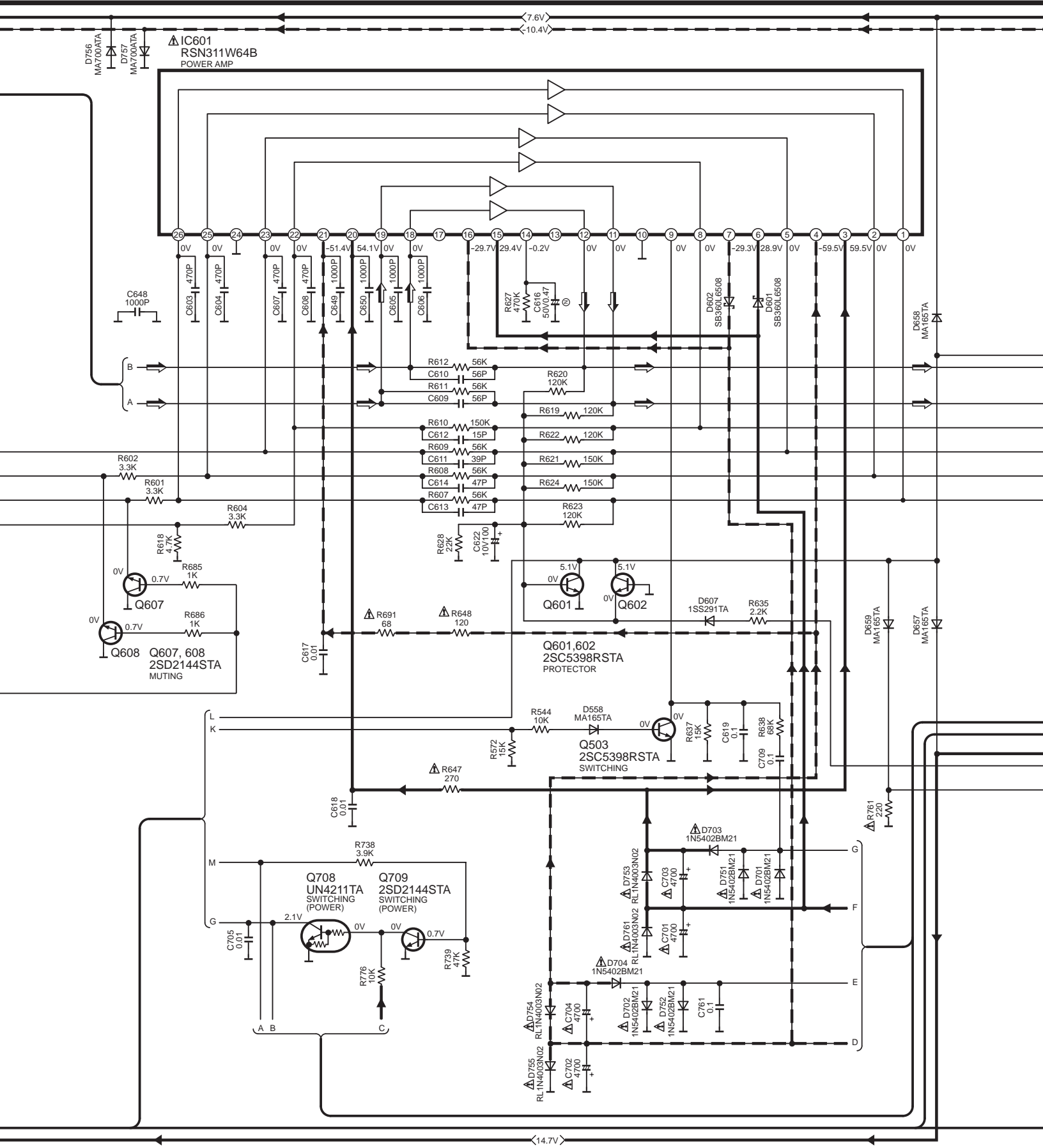
A OPERATION CIRCUIT

→ : POSITIVE VOLTAGE LINE - - - - - : NEGATIVE VOLTAGE LINE ⇨ : AUDIO SIGNAL LINE



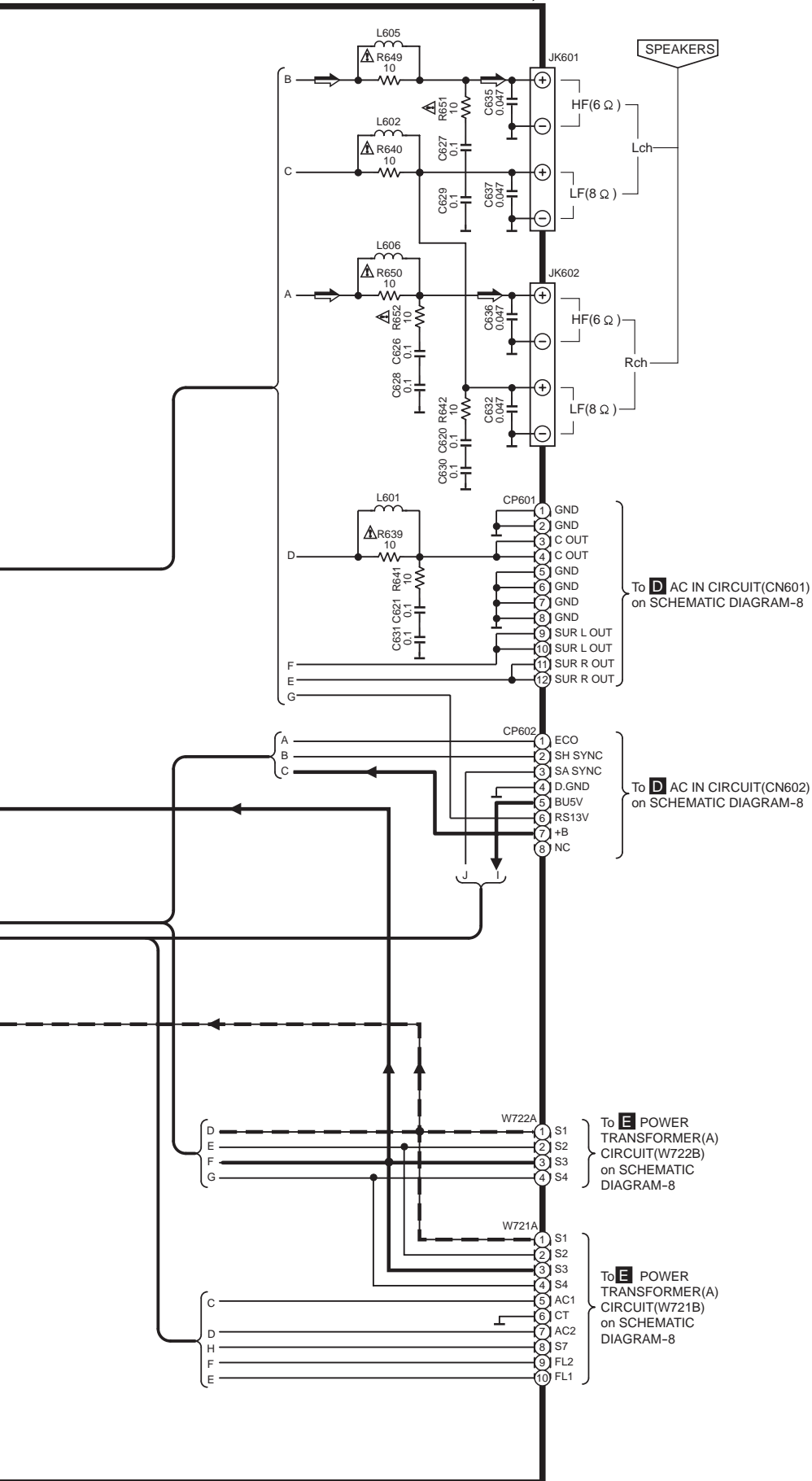
SCHEMATIC DIAGRAM-5

 : POSITIVE VOLTAGE LINE
 : NEGATIVE VOLTAGE LINE  : AUDIO SIGNAL LINE



SCHEMATIC DIAGRAM-7

 : POSITIVE VOLTAGE LINE
 : NEGATIVE VOLTAGE LINE  : AUDIO SIGNAL LINE



SPEAKERS

Lch

Rch

To **D** AC IN CIRCUIT(CN601) on SCHEMATIC DIAGRAM-8

To **D** AC IN CIRCUIT(CN602) on SCHEMATIC DIAGRAM-8

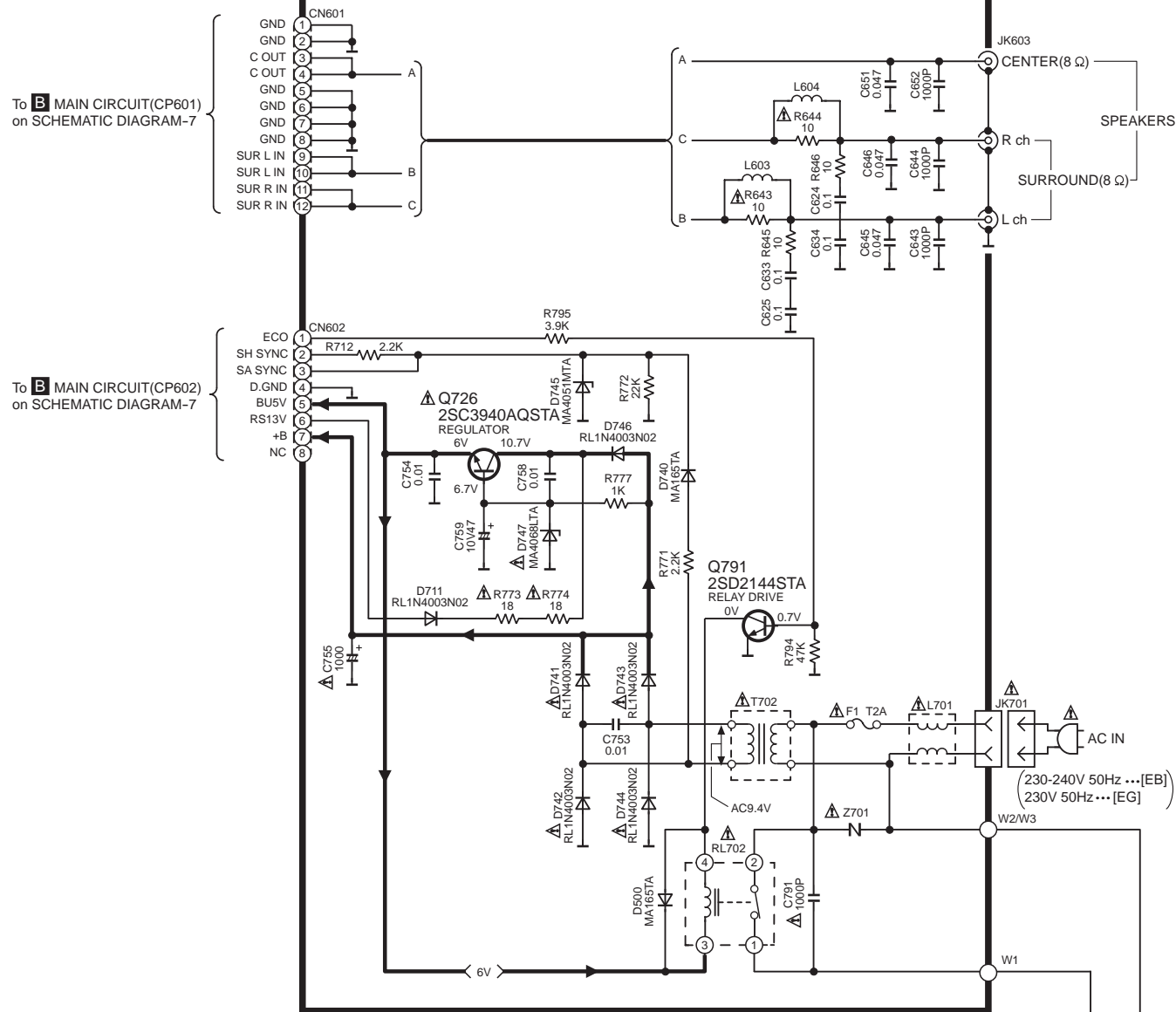
To **E** POWER TRANSFORMER(A) CIRCUIT(W722B) on SCHEMATIC DIAGRAM-8

To **E** POWER TRANSFORMER(A) CIRCUIT(W721B) on SCHEMATIC DIAGRAM-8

SCHEMATIC DIAGRAM-8

D AC IN CIRCUIT

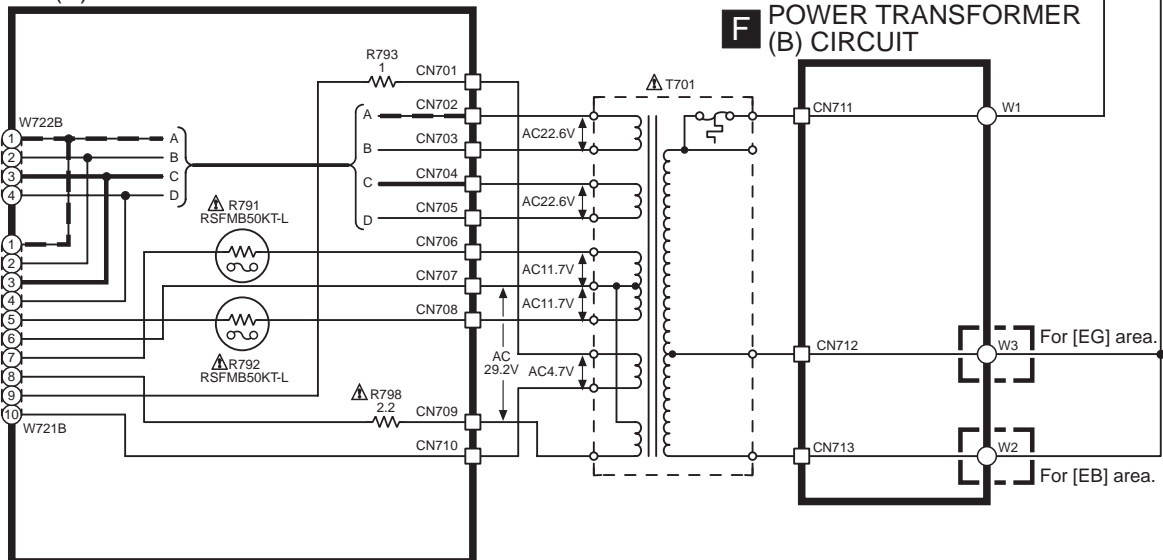
→ : POSITIVE VOLTAGE LINE
 - - - - - : NEGATIVE VOLTAGE LINE



E POWER TRANSFORMER (A) CIRCUIT

To B MAIN CIRCUIT (W722A) on SCHEMATIC DIAGRAM-7

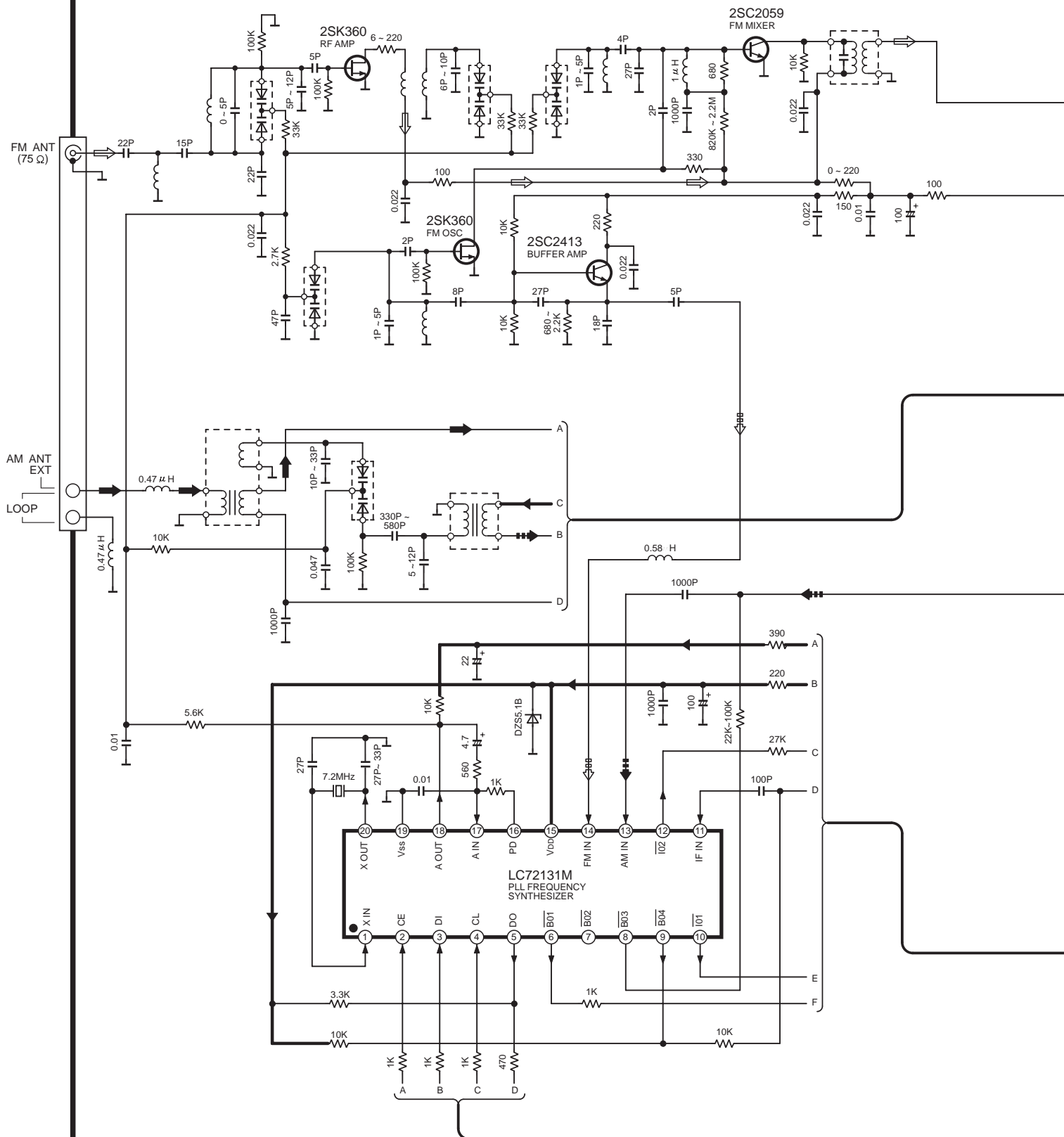
To B MAIN CIRCUIT (W721A) on SCHEMATIC DIAGRAM-7



F POWER TRANSFORMER (B) CIRCUIT

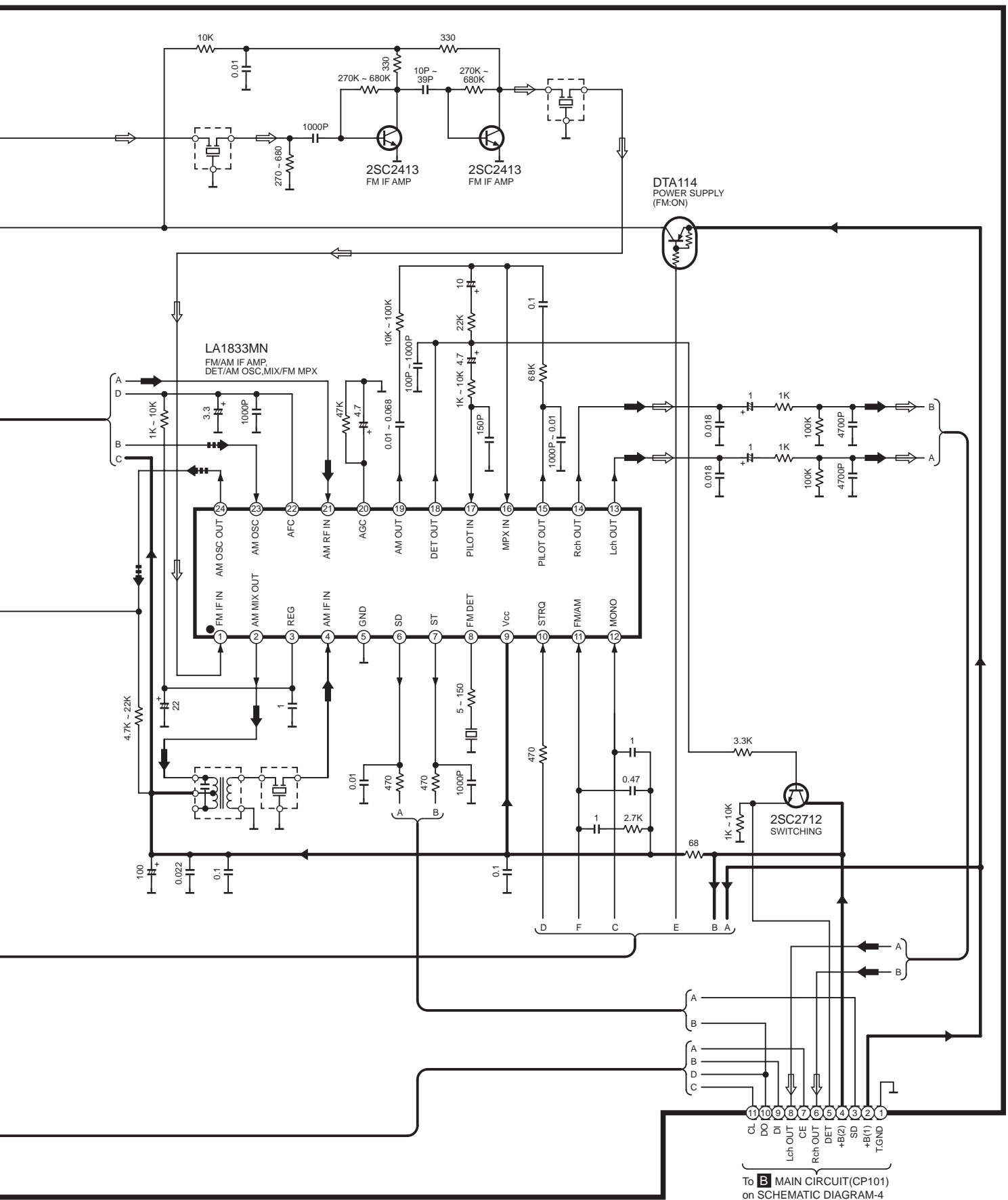
Z101 TUNER UNIT(RAN0005EM-2)

→ : POSITIVE VOLTAGE LINE
 ⇨ : FM SIGNAL LINE
 ⇩ : FM OSC SIGNAL LINE
 ⇨ : AM SIGNAL LINE
 ⇩ : AM OSC SIGNAL LINE



SCHEMATIC DIAGRAM-10

: POSITIVE VOLTAGE LINE
 : FM SIGNAL LINE
 : AM SIGNAL LINE
 : AM OSC SIGNAL LINE



To **B** MAIN CIRCUIT(CP101) on SCHEMATIC DIAGRAM-4